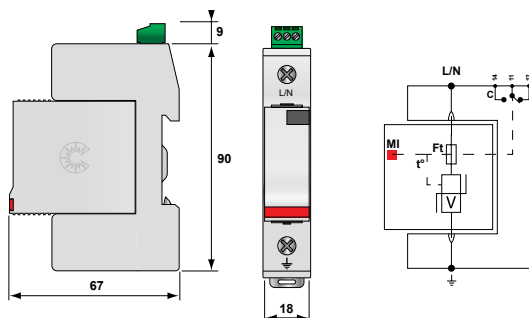


## Surge arrester ETITEC V T2

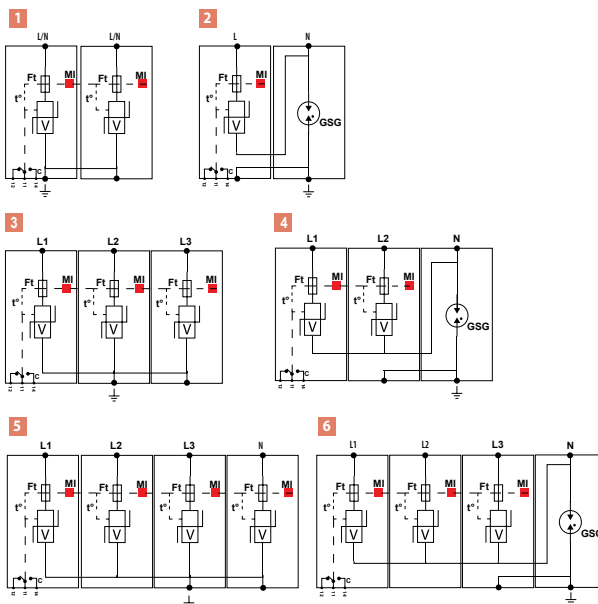
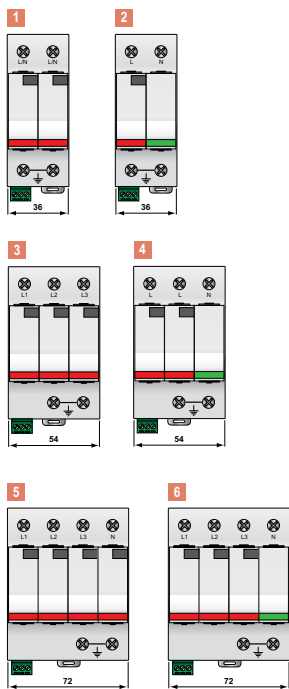
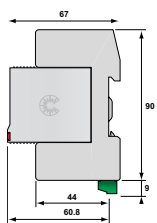
EN/IEC/VDE: T2/II/C

ETITEC V T2			
Type		ETITEC V T2 255	ETITEC V T2 440
Description		Type 2 AC surge protector - one-phase - pluggable	
Network	U <sub>o</sub>	230/400 V	230/400 V
Max. AC operating voltage	U <sub>c</sub>	255 VAC	440 VAC
Temporary Over Voltage (TOV) Characteristics - 5 sec.	UT	335 Vac withstand	580 Vac withstand
Temporary Over Voltage (TOV) Characteristics - 120 min	UT	440 Vac disconnection	770 Vac disconnection
Residual current - Leakage current at U <sub>c</sub>	I <sub>pe</sub>	< 1 mA	< 1 mA
Follow current	I <sub>f</sub>	x	x
Nominal discharge current - 15 x 8/20 μs impulses	I <sub>n</sub>	20 kA	20 kA
Max. discharge current -max. withstand @ 8/20 μs by pole	I <sub>max</sub>	40 kA	40 kA
Protection level	U <sub>p</sub>	1,25 kV	1,8 kV
Admissible short-circuit current	I <sub>scrr</sub>	25000 A	25000 A
Current Source generator		1mA	
U <sub>n</sub> min (MOV)		387 V AC	
U <sub>n</sub> max (MOV)		473 V AC	
<b>Associated disconnectors</b>			
Thermal disconnector		internal	
Fuses		gG 125 A	
Installation ground fault breaker		Type "S" or delayed	
<b>Mechanical characteristics</b>			
Dimensions		see diagram	
Connection to Network		By screw terminals: 2,5-25 mm <sup>2</sup> / by bus	
Disconnection indicator		1 mechanical indicator	
Remote signaling of disconnection		output on changeover contact	
Mounting		Symmetrical rail 35 mm (EN60715)	
Operating temperature		-40 ... +85°C	
Protection rating		IP20	
Housing material		Thermoplast UL94-V0	
Standards compliance		IEC 61643-11 / EN 61643-11	

## Dimensions



V: High-energy varistor  
 Ft: Thermal fuse  
 C: Remote signaling contact  
 t\*: Thermal disconnection system  
 Mi: Disconnection indicator



V: High-energy varistor  
 GSG: Specific gas tube  
 Ft: Thermal fuse  
 C: Remote signaling contact  
 t²: Thermal disconnection system  
 MI: Disconnection indicator