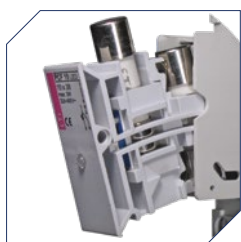


C Fuse-switch disconnectors for cylindrical fuse-links

Fuse-switch disconnecter PCF

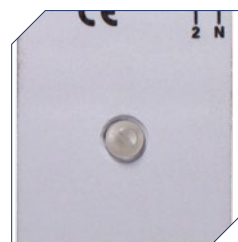
- Extraction of entire fuse-link when changing
- Chamber for spare fuse-link



- 1-pole + N in one module



- LED indicator version



- New method of mounting on the DIN rail and simple replacement



- Double connection clamps



- Sealing possibility



C / Fuse-switch disconnectors for cylindrical fuse-links

Technical data PCF

	PCF 8	PCF 10
Fuse type	CH 8x32	CH 10x38
VLC	IEC	IEC UL
Versions	Without indicator / LED indicator	
Number of poles	1p, 1p+N, 2p, 3p, 3p+N	1p, 2p, 3p
Rated operational voltage Ue	400V a.c.	690V a.c. 600V a.c./d.c.
Rated operational current Ie	20A	32A 30A
Maximum rated current of fuses	690V 500V 400V	10A gG 25A gG, 16A aM 32A gG
Rated frequency	50Hz	50Hz 60Hz
Rated short-time withstand current Icw	240A	300A
Rated conditional short-circuit current	50kA	100kA 200kA
Rated insulation voltage Ui	400V	690V
Rated imp. withstand voltage Uimp	4kV	4kV
Overvoltage category	III	III
Max power dissipation of the fuse-link (W)	gG: 2,5W / aM: 0,9W	gG: 3W / aM: 1,2W
LED indicator operating range	50V-690V a.c.	
Utilization category	AC-22B	AC-22B Do not operate under load
Operational performance (cycles with current)	300	300
Operational performance (cycles without current)	1700	1700
Humidity	90% at 20°C	
Operating ambient temperature	-5°C ... +40°C	
Store ambient temperature	-25°C ... +55°C	
Degree of protection (IEC 60529)	IP 20	IP 20
Terminal capacity	0,5-10mm ² , Double connection	
Screw	PZ M4	PZ M4 PZ M4
Torque	1,2Nm	1,2Nm 1,2Nm
Mounting on EN 60715 rail	35mm rail	
Sealing possibility	ON and OFF	
Standards - fuse links	IEC/EN 60269-2	
Standards - fuse disconnectors/ fuse holders	IEC 60947-1, IEC 60947-3	UL 4248-1
Test reports	Int.	CCA/CB UL
Certificates		UL _{UR} ₁₅

Technical data PCF

	PCF 8	PCF 10
Fuse type	CH 8x32	CH 10x38
	IEC	IEC UL
Derating factor of current I _n for different ambient temperatures	20°	1
	30°	0,95
	40°	0,9
	50°	0,8
	60°	0,7
	70°	0,5
Derating factor of current I _n for side by side mounting fuse holders (nr. of poles)	1-4	1
	5-6	0,8
	7-9	0,7
	≥10	0,6

Fuse-switch disconnecter PCF 8

Rated current
max. 20 A

Rated operational voltage
400V

Utilization category
AC 22B

1-pole

U_e/U_i [V]	I_{max} [A]	Code No.	Indicator	Weight [g]	Packaging [pcs]
400	20	002530001	-	58	12/108
		002530011	LED		
		*002531001	-	58	12/108
		*002531011	LED		

*Connection clamp on the right side "French version"



1-pole + N

U_e/U_i [V]	I_{max} [A]	Code No.	Indicator	Weight [g]	Packaging [pcs]
400	20	002530002	-	70	12/108
		002530012	LED		
		*002531002	-	70	12/108
		*002531012	LED		

*Connection clamp on the right side, N pole on the left "French version"



2-pole

U_e/U_i [V]	I_{max} [A]	Code No.	Indicator	Weight [g]	Packaging [pcs]
400	20	002530003	-	120	6/54
		002530013	LED		
		*002531003	-	120	6/54
		*002531013	LED		

*Connection clamp on the right side "French version"



3-pole

U_e/U_i [V]	I_{max} [A]	Code No.	Indicator	Weight [g]	Packaging [pcs]
400	20	002530004	-	180	4/36
		002530014	LED		
		*002531004	-	180	4/36
		*002531014	LED		

*Connection clamp on the right side "French version"



3-pole + N

U_e/U_i [V]	I_{max} [A]	Code No.	Indicator	Weight [g]	Packaging [pcs]
400	20	002530005	-	195	4/36
		002530015	LED		
		*002531005	-	195	4/36
		*002531015	LED		

*Connection clamp on the right side, N pole on the left "French version"

Fuse-switch disconnecter PCF 10

Rated current
max. 32 A

Rated operational voltage
690V

Utilization category
AC 22B

1-pole

U_c/U_i [V]	I_{max} [A]	Code No.	Indicator	Weight [g]	Packaging [pcs]
690	32	002550001	-	58	12/108
		002550011	LED		
		*002551001	-	58	12/108
		*002551011	LED		

*Connection clamp on the right side "French version"

1-pole + N

U_c/U_i [V]	I_{max} [A]	Code No.	Indicator	Weight [g]	Packaging [pcs]
400/690	32	002550002	-	70	12/108
		002550012	LED		
		*002551002	-	70	12/108
		*002551012	LED		

*Connection clamp on the right side, N pole on the left "French version"

2-pole

U_c/U_i [V]	I_{max} [A]	Code No.	Indicator	Weight [g]	Packaging [pcs]
690	32	002550003	-	120	6/54
		002550013	LED		
		*002551003	-	120	6/54
		*002551013	LED		

*Connection clamp on the right side "French version"

3-pole

U_c/U_i [V]	I_{max} [A]	Code No.	Indicator	Weight [g]	Packaging [pcs]
690	32	002550004	-	180	4/36
		002550014	LED		
		*002551004	-	180	4/36
		*002551014	LED		

*Connection clamp on the right side "French version"

3-pole + N

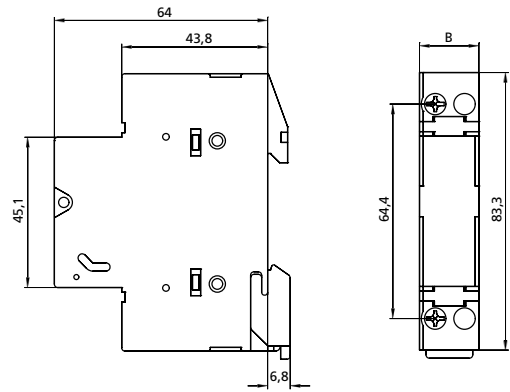
U_c/U_i [V]	I_{max} [A]	Code No.	Indicator	Weight [g]	Packaging [pcs]
690	32	002550005	-	195	4/36
		002550015	LED		
		*002551005	-	195	4/36
		*002551015	LED		

*Connection clamp on the right side, N pole on the left "French version"



Fuse-switch disconnector PCF 8, PCF 10

type	dimension B [mm]
PCF 8, 10 1p	17,8
PCF 8, 10 1p+N	17,8
PCF 8, 10 2p	35,6
PCF 8, 10 3p	53,4
PCF 8, 10 3p+N	53,4



Accessories

Auxiliary switch PS PCF

U _n [V]	I _n [A]	Code No. PCF8	Code No. PCF10	Weight [g]	Packaging [pcs]	Contact
230	6	002559001	002559001	35	1/10	1 x b 1 x a/b

